

# PSE-G350

**1-port 10/100/1000 Base-T to 1-port 10/100/1000 Base-T, PoE Active Gigabit PoE High Power Over Ethernet Injector, 30W output Support IEEE 802.3af/at solution, with auto-detection**



### Feature

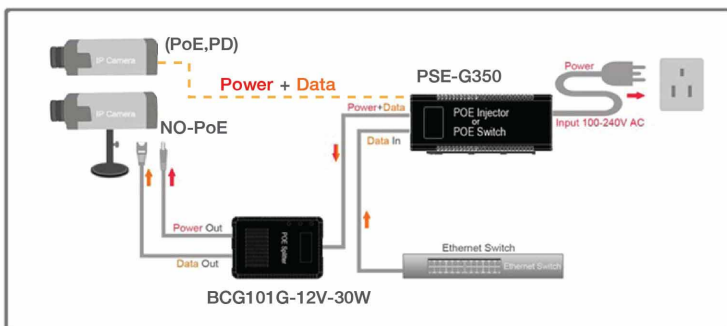
- Compatible with IEEE802.3af/at POE standards.
- Capable of withstanding 1000VAC surges.
- Up to 30W of POE power supply.
- Safe on low power devices receive only the power they need
- Safe and Reliable Power to WLAN Access Points
- Automatic Detection and Protection of Non-standard Ethernet Terminals
- Supports 10/100/1000Base-T LAN environment
- Withstand 5G vibration test
- Protection: short circuit/overload/overvoltage/over temperature protection.
- High efficiency, all use 105°C long-life electrolytic capacitor.
- Unique interlocking feature for easy installation

### Main Applications

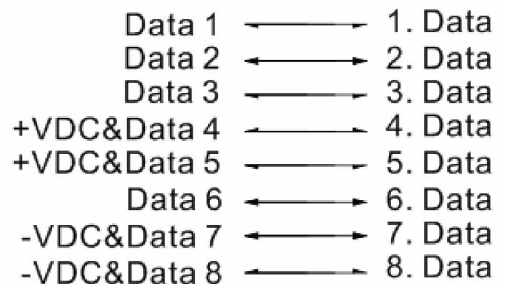
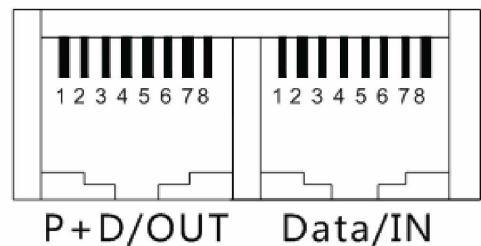
- IP Telephones; IP Security Cameras; IP Print Servers
- Wireless Network Access Points and Bridges
- Blue Tooth Access Points

### Specification

Hardware Specification	Descriptions
Interface	1* 10/100/1000Mbps POE port + 1* 10/100/1000Mbps LAN port
PoE Standard	IEEE 802.3af, IEEE 802.3af at
Switch Architecture	Store and Forward
Transmission Rate	10/100/1000Mbps
POE Power	30W
AC Input Voltage	100~240 VAC; 50/60Hz
Output Voltage	48V
Power Pin	1,2,4,5+/3,6,7,8-
Transmission Distance	150 meters
Indicators	Power active
Operating Environment	-40~60°C
Storage Environment	-45~85°C
Operating Humidity	5%~95%(non-condensing)
Storage Humidity	5%~95%(non-condensing)
Dimensions(WxDxH)	85mmx44mmx30mm
Weight	100g



**More Applications:** VoIP Phone, IP camera, Wireless Access Point, any other PoE enabled devices



Order Part Number as Below.

Part Number.	Descriptions
PSE-G350	1-port 10/100/1000 Base-T to 1-port 10/100/1000 Base-T, PoE Active Gigabit PoE High Power Over Ethernet Injector, 30W output Support IEEE 802.3af/at solution, with auto-detection