

Fiber Optic Patch Cord Cable OM1/OM2/OS2

DESCRIPTIONS / APPLICATIONS

The BELLCOMMS offers a comprehensive line of fiber jumpers for connecting fiber links. Choose from simplex or duplex, multimode (62.5/125 or 50/125) or singlemode, SC or ST, jumpers, or pigtails. Assemblies are available in standard lengths of 1, 2, 3, and 5 meters, (custom lengths are also available). Each and every terminated connector is optically tested so that you can be assured that 100% of the BELLCOMMS-built cable assemblies meet the stringent performance limits as noted in the specifications chart. All jumpers are manufactured using the finest quality connectors and OFNR riser grade fiber.

PRODUCTS FEATURE

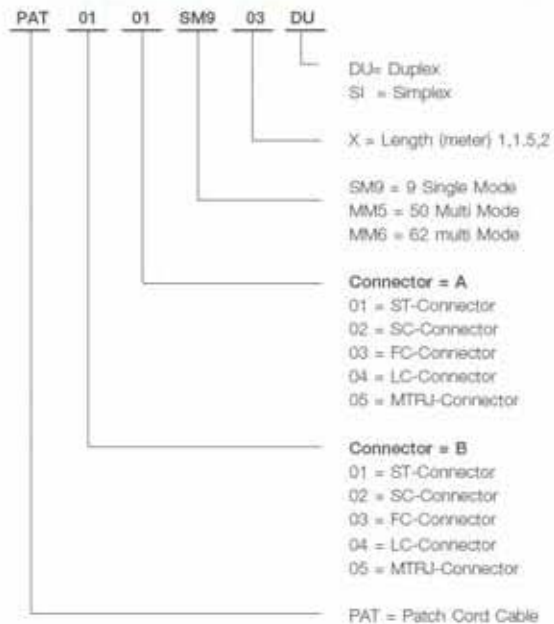
- Compatible with NTT-FC, NTT-SC standard & ST connector
- PC ferrule with 20mm radius fast polishing
- 8 degree angle PC ferrule with ultra low insertion loss
- Low back reflection loss
- Easy to handle
- Environmentally stable
- Typical Insertion Loss Single-mode : 0.15dB, Multi-mode: 0.3dB
- Typical Return loss(*) Single-mode : -50dB
- Operating Temperature : -40 ~ +75°C
- Storage Temperature : -55 ~ +85°C
- Telecommunications
- Local area network
- Fiber optic sensors
- Testing instruments
- CATV

Standard

International : ISO/IEC 11801
 European EN : 50173
 North American : TIA/EIA



Ordering code for make to order



Sample order

PAT0101SM03DU Patch Cable ST-ST connector singlemode 3meters Duplex