

Model : BC30XXA



Fiber Optic Splice Closure, Dome type

Features

- Advanced internal structure design
- Easy and fast to fix fiber cable
- Fiber suffers no attenuation
- The closure is spacious enough for winding and storing fibers
- Fiber Optic Splice Trays(FOSTs) are design in SLIDE-IN- LOCK and its opening angle is about 90°
- The curved diameter meets with international standard
- Easy and fast to increase and reduce FOSTs
- Innovative elastic intergrated seal fitting

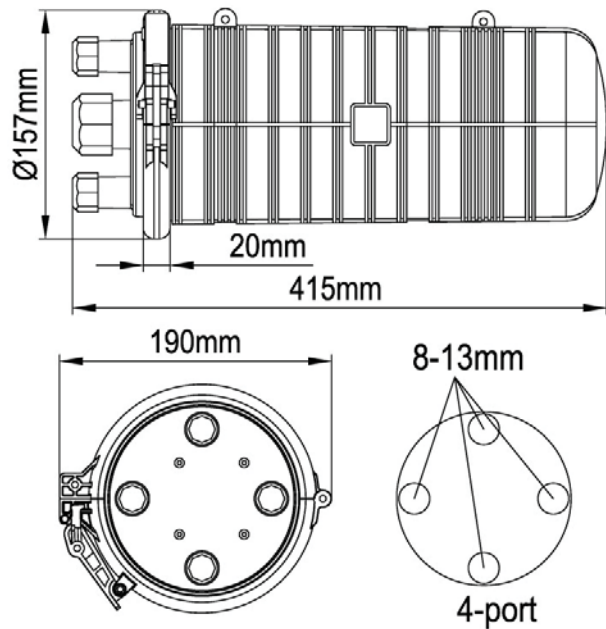
Applications

- Suitable for bunchy fibers
- Aerial, underground, wall-mounting, hand hole-mounting
- Pole-mounting and duct-mounting

Standard Accessories:

| No. | Name | Quantity |
|-----|-----------------------------------|----------|
| 1 | Heat shrinkable protective sleeve | 1 bag |
| 2 | Nylon tie | 1 set |
| 3 | Earthing wire | 1 pc |
| 4 | Special wrench | 2 pcs |
| 5 | Desiccant | 2 bags |
| 6 | Labeling paper | 1 pc |

Structural Drawing



Optical Splice Trays



| Part No. | Descriptions |
|----------|---|
| BC-3061A | Splice Tray(Plastic) 24 Fiber,used for Dome Closure 210L x 105W x 11H mm. |
| BC-3062A | Splice Tray(Plastic) 24 Fiber,used for Dome Closure 234L x 96W x 11H mm.(Standard in clousre) |